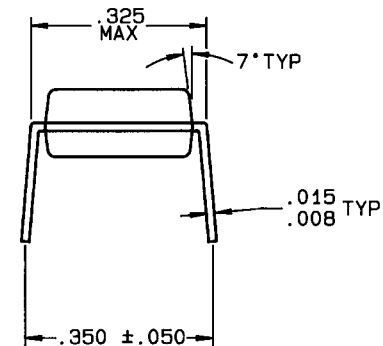
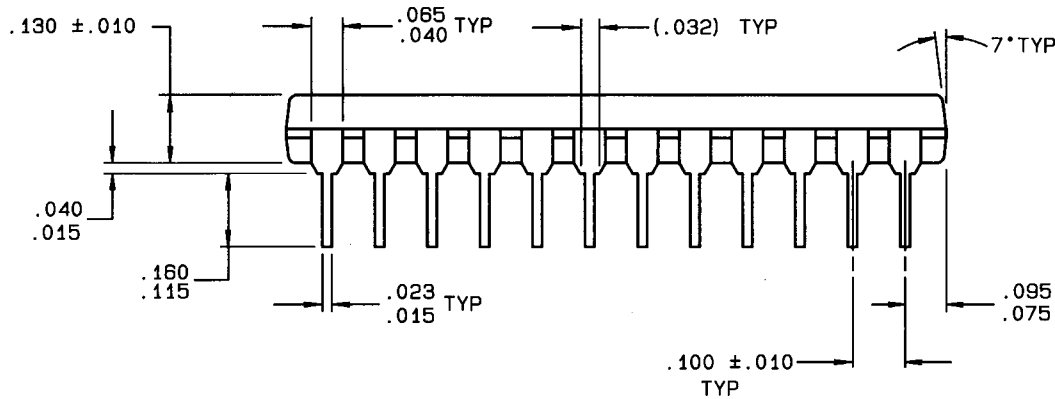
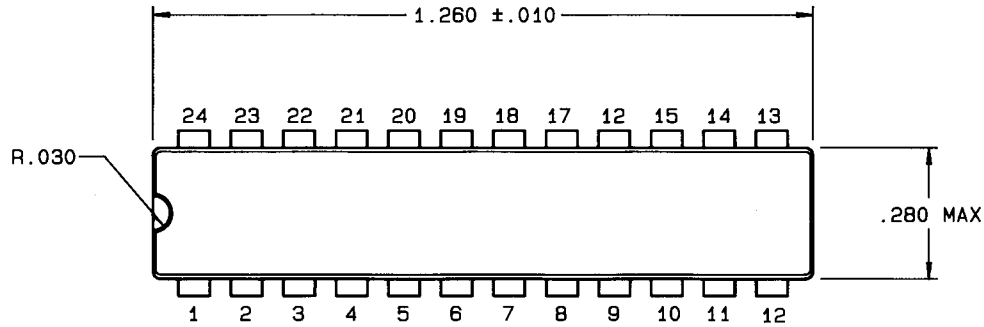


THIS DRAWING IS THE PROPERTY OF NATIONAL SEMICONDUCTOR CORPORATION. NO USE THEREOF SHALL BE MADE OTHER THAN AS A REFERENCE FOR PROPOSALS AS SUBMITTED TO NATIONAL SEMICONDUCTOR CORPORATION FOR JOBS TO BE EXECUTED IN CONFORMITY WITH SUCH PROPOSALS UNLESS THE CONSENT OF SAID NATIONAL SEMICONDUCTOR CORPORATION HAS PREVIOUSLY BEEN OBTAINED. NO PART OF THIS DRAWING SHALL BE COPIED OR DUPLICATED OR ITS CONTENTS DISCLOSED. THE INFORMATION CONTAINED ON THIS DRAWING IS CONFIDENTIAL AND PROPRIETARY.

REVISIONS				
LTR	DESCRIPTION	E.C.N.	DATE	BY/APP'D
A	RELEASE TO DOCUMENT CONTROL	06153	11/21/88	DEG/JF
B	REVISE SIDE VIEW AND DRAWING TITLE	06714	02/22/89	PG/YK



NOTES: UNLESS OTHERWISE SPECIFIED

- STANDARD LEAD FINISH:
200 MICROINCHES MINIMUM LEAD/TIN: 37/63
ON ALLOY 42 OR COPPER.

APPROVALS		DATE	NATIONAL SEMICONDUCTOR CORPORATION 2900 Semiconductor Drive, Santa Clara, CA 95052-8090		
DRAWN		11/21/88	MOLDED DIP (N), 24 LEAD, 300 MILS SUBCONTRACTOR PACKAGE		
DFTG. CHK.		03/01/89			
ENGR. CHK.		3/2/89			
APPROVAL		1/1			
PROJECTION <small>INCH MM</small>		SCALE	SIZE	DRAWING NUMBER	REV
		N/A	B	MKT-N24D	B
FORMERLY: N/A				SHEET 1 OF 1	