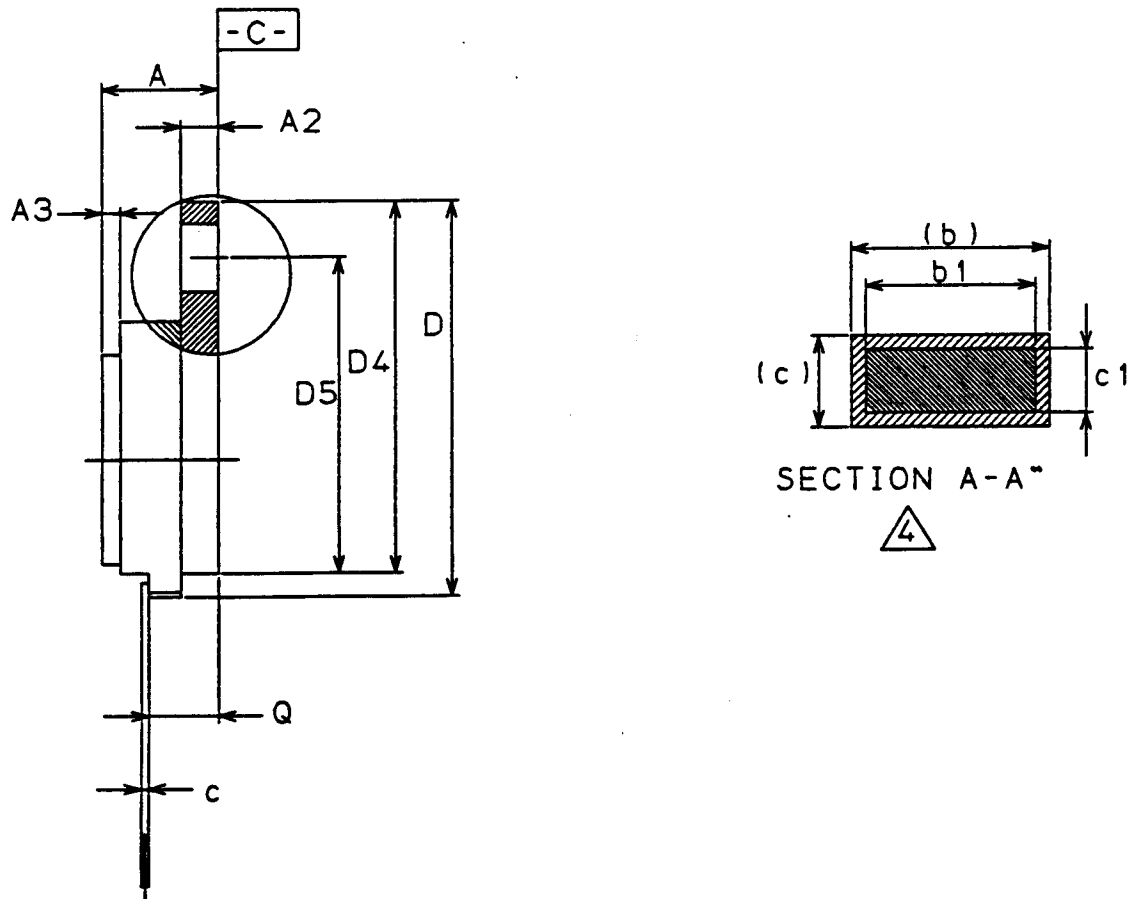


JEDEC SOLID STATE PRODUCT OUTLINES	TITLE 3 LEAD FLANGE MOUNTED CERAMIC POWER PACKAGE R-CSFM-T3	ISSUE A	DATE JUNE 1993	TO-265
				SHEET 1 OF 3



VARIATION AB

- NOTES: 1. REFER TO APPLICABLE SYMBOL LIST.
 2. DIMENSIONING AND TOLERANCING PER ANSI Y14.5M-1982.
 3. ALL DIMENSIONS IN INCHES.
 4. SECTION A-A* APPLIES IN L2.

JEDEC SOLID STATE PRODUCT OUTLINES	TITLE 3 LEAD FLANGE MOUNTED CERAMIC POWER PACKAGE R-CSFM-T3	ISSUE A	DATE JUNE 1993	TO-265
				SHEET 2 OF 3

DIMENSIONS	VARIATIONS (ALL DIMENSIONS SHOWN IN INCHES)												
	AA			NOTE	AB			NOTE				NOTE	
	MIN.	NOM.	MAX.		MIN.	NOM.	MAX.		MIN.	NOM.	MAX.		
A	.215	.240	.265		.215	.240	.265						
A1	.035	.040	.045		—	—	—						
A2	.075	.080	.085		.075	.080	.085						
A3	.027	.032	.037		.027	.032	.037						
b	.038	.040	.042		.038	.040	.042						
b1	.038	.040	.041		.038	.040	.041						
b2	.058	.060	.062		.058	.060	.062						
c	.014	.015	.017		.014	.015	.017						
c1	.014	.015	.016		.014	.015	.016						
D	.835	.845	.855		.835	.845	.855						
D1	.580	.590	.600		.580	.590	.600						
D2	.530	.540	.550		.530	.540	.550						
D3	.445	.450	.455		.445	.450	.455						
D4	.790	.795	.800		.790	.795	.800						
D5	.670	.675	.680		.670	.675	.680						
D6	.515	.520	.525		—	—	—						
D7	.060	.070	.080		.060	.070	.080						
E	.530	.540	.550		.530	.540	.550						
E1	.495	.500	.505		.495	.500	.505						
E2	.455	.460	.465		.455	.460	.465						
e		.150BSC				.150BSC							
e1		.170BSC				.170BSC							
L	.610	.622	.634		.610	.622	.634						
L2	.340	—	—	4	.340	—	—	4					
N	—	3	—		—	3	—						
φP	.139	.144	.149		.139	.144	.149						
Q	.135	.150	.165		.135	.150	.165						
θ		60°REF				60°REF							
NOTE	1, 2, 3, 4				1, 2, 3, 4								
REF	10-309				10-309								
ISSUE	A				A								
JEDEC SOLID STATE PRODUCT OUTLINES				TITLE 3 LEAD FLANGE MOUNTED CERAMIC POWER PACKAGE R-CSFM-T3				ISSUE A		DATE JUNE 1993		TO-265 SHEET 3 OF 3	