

NOTES :

1. REFER TO APPLICABLE SYMBOL LIST.
2. DIMENSIONING AND TOLERANCING PER ANSI Y14.5-1973.
3. FIGURE A, PERIPHERAL TERMINAL CONFIGURATION, APPLICABLE.
4. FIGURE B, AXIAL TERMINAL CONFIGURATION, APPLICABLE.
5. FIGURE C, AXIAL TERMINAL CONFIGURATION, APPLICABLE.
6. MAXIMUM RADIUS OF 1.270 ON ALL BODY EDGES AND CORNERS.
7. POSITION OF LEAD TO BE MEASURED 4.699-4.826 FROM BOTTOM OF DIMENSION D.
8. POSITION OF LEAD TO BE MEASURED 1.270-1.397 BELOW SEATING PLANE.
9. LEAD DIMENSIONS UNCONTROLLED IN L<sub>1</sub> AND L<sub>1</sub>.
10. TAB OUTLINE OPTIONAL WITHIN BOUNDARIES OF DIMENSIONS E AND R.
11. CONTROLLING DIMENSIONS: INCH.
12. MILLIMETER DIMENSIONS ARE TAKEN TO THE SAME NUMBER OF PLACES BEYOND THE DECIMAL POINT AS THE CORRESPONDING INCH DIMENSIONS. MAXIMUM CONVERSION ERROR IS NO MORE THAN .02 TIMES THE SMALLEST UNIT VALUE OF CORRESPONDING INCH DIMENSIONS.

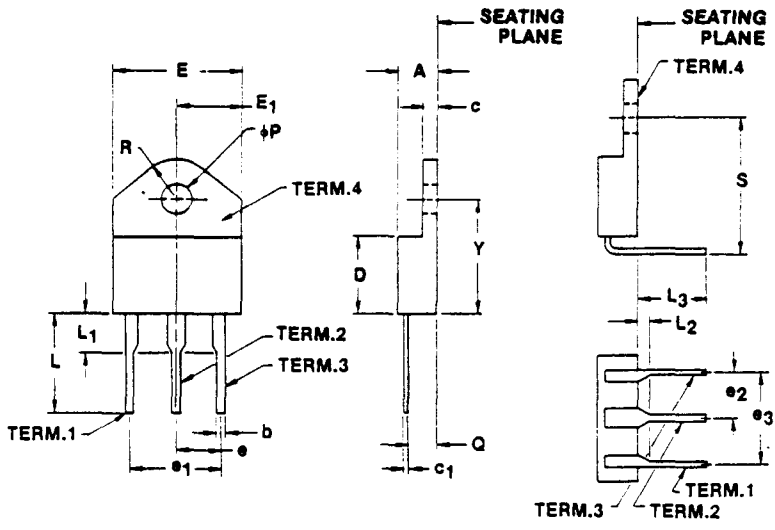


FIG. A

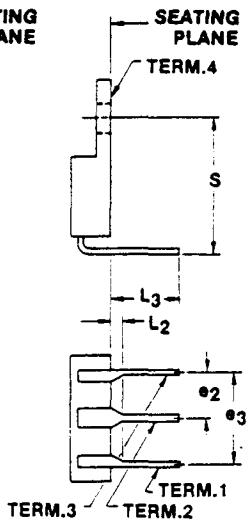


FIG. B

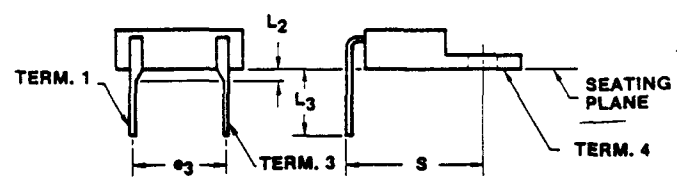


FIG. C

VARIATIONS (ALL DIMENSIONS SHOWN IN MILLIMETERS)

SYMBOL	AA		NOTE	AB		NOTE	AC		NOTE	AD		NOTE
	MIN.	MAX.		MIN.	MAX.		MIN.	MAX.		MIN.	MAX.	
	A	4.318		4.953			4.318	4.953			4.191	
b	1.143	1.397		1.143	1.397		1.016	1.651		1.143	1.397	
c	1.016	1.524		1.016	1.524		1.346	1.651		1.016	1.651	
c1	.305	.457		.305	.457		.381	.762		.305	.762	
D	10.287	10.795	10	10.287	10.795	10	11.63	12.827	10	10.287	12.827	10
E	14.732	15.748	10	14.732	15.748	10	15.494	16.256	10	14.732	16.256	10
E1	7.366	7.874	7	7.366	7.874		7.747	8.128		7.366	8.128	
e	5.207	5.715	7	-	-		5.207	5.715	7	-	-	
e1	10.668	11.176	7	-	-		10.668	11.176	7	-	-	
e2	-	-		5.207	5.715	8	-	-		-	-	
e3	-	-		10.688	11.176	8	-	-		10.688	11.176	8
L	11.938	-		-	-		12.700	16.05		-	-	
L1	2.794	3.429	9	-	-		-	3.31		-	-	
L2	-	-		-	1.270	9	-	-		-	1.270	9
L3	-	-		7.925	-		-	-		7.925	-	
ØP	3.836	4.089		3.836	4.089		3.988	4.241		3.836	4.241	
Q	2.794	3.429		2.794	3.429		2.36	3.200		2.388	3.429	
R	4.318	4.826	10	4.318	4.826	10	4.318	4.826	10	4.318	4.826	10
S	-	-		16.637	17.145		-	-		16.637	17.145	
Y	13.462	14.478		13.462	14.478		15.24	16.51		-	-	

NOTE 1,2,3,11, 12 (FIG A)      1,2,4, 11,12 (FIG B)      1,2,3, 11, 12 (FIG A)      1,2,5,11 (FIG C)

REF.      REF.      REF.      REF.

ISSUE A JUNE 1974      A JUNE 1974      E JUNE 1986      C MARCH 1981

JEDEC SOLID STATE PRODUCT OUTLINES	TITLE FLANGE MOUNTED HEADER FAMILY (AXIAL AND PERIPHERAL LEADS)	ISSUE E	DATE JUNE 1986	TO-218 AA-AD
--	---	------------	-------------------	--------------

NOTES:

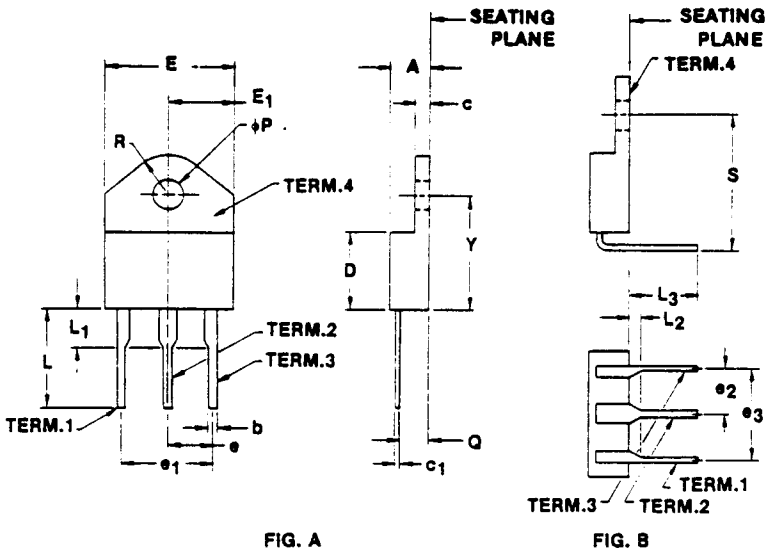


FIG. A

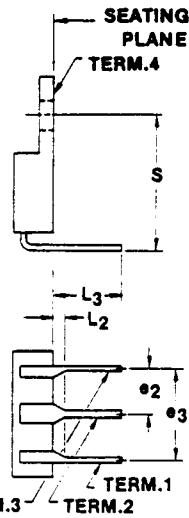


FIG. B

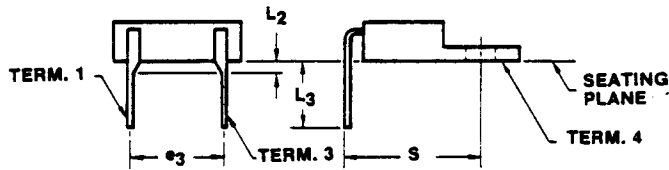


FIG. C

1. REFER TO APPLICABLE SYMBOL LIST.
2. DIMENSIONING AND TOLERANCING PER ANSI Y14.5-1973.
3. FIGURE A, PERIPHERAL TERMINAL CONFIGURATION, APPLICABLE.
4. FIGURE B, AXIAL TERMINAL CONFIGURATION, APPLICABLE.
5. FIGURE C, AXIAL TERMINAL CONFIGURATION, APPLICABLE.
6. MAXIMUM RADIUS OF .050 ON ALL BODY EDGES AND CORNERS
7. POSITION OF LEAD TO BE MEASURED .185-.190 FROM BOTTOM OF DIMENSION D.
8. POSITION OF LEAD TO BE MEASURED .050-.055 BELOW SEATING PLANE.
9. LEAD DIMENSIONS UNCONTROLLED IN L<sub>1</sub> AND L<sub>2</sub>.
10. TAB OUTLINE OPTIONAL WITHIN BOUNDARIES OF DIMENSIONS E AND R.
11. CONTROLLING DIMENSIONS: INCH.

VARIATIONS (ALL DIMENSIONS SHOWN IN INCHES)

SYMBOL	AA		NOTE	AB		NOTE	AC		NOTE	AD		NOTE
	MIN.	MAX.		MIN.	MAX.		MIN.	MAX.		MIN.	MAX.	
	A	.170		.195			.170	.195			.165	
b	.045	.055		.045	.055		.040	.065		.040	.055	
c	.040	.060		.040	.060		.053	.065		.040	.065	
c <sub>1</sub>	.012	.018		.012	.018		.015	.030		.012	.030	
D	.405	.425	10	.405	.425	10	.460	.505	10	.405	.505	10
E	.580	.620		.580	.620		.610	.640		.580	.640	
E <sub>1</sub>	.290	.310		.290	.310		.305	.320		.290	.320	
e	.205	.225	7	-	-		.205	.225	7	-	-	
e <sub>1</sub>	.420	.440		-	-		.420	.440	7	-	-	
e <sub>2</sub>	-	-		.205	.225	8	-	-		-	-	
e <sub>3</sub>	-	-		.420	.440	8	-	-		.420	.440	8
L	.470	-		-	-		.500	.632		-	-	
L <sub>1</sub>	.110	.135	9	-	-		-	.150	9	-	-	
L <sub>2</sub>	-	-		-	.050	9	-	-		-	.050	9
L <sub>3</sub>	-	-		.312	-		-	-		.312	-	
∅P	.151	.161		.151	.161		.157	.167		.151	.167	
Q	.110	.135		.110	.135		.093	.126		.094	.135	
R	.170	.190	10	.170	.190	10	.170	.190	10	.170	.190	10
S	-	-		.655	.675		-	-		.655	.675	
Y	.530	.570		.530	.570		.600	.650		-	-	

NOTE 1,2,3,11 (FIG A)      1,2,4,11 (FIG B)      1,2,3,11 (FIG A)      1,2,5,11 (FIG C)

REF.      REF.      REF.      REF.

ISSUE A JUNE 1974      A JUNE 1974      E JUNE 1986      C MARCH 1981

JEDEC SOLID STATE PRODUCT OUTLINES	TITLE FLANGE MOUNTED HEADER FAMILY (AXIAL & PERIPHERAL LEADS)	ISSUE E	DATE JUNE 1986	TO-218 AA-AD
--	---	------------	-------------------	--------------